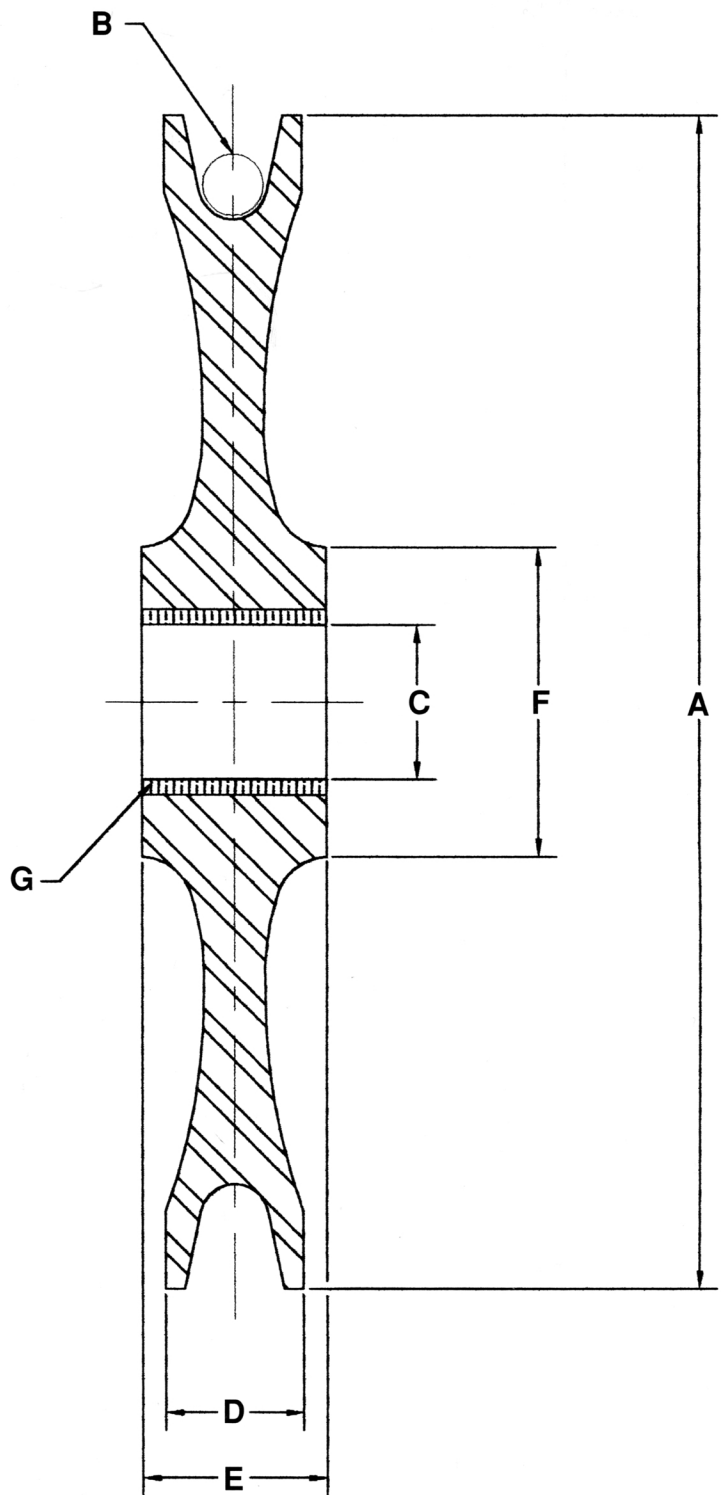


A	
OUTSIDE DIAMETER	
B	
ROPE DIAMETER	
C	
BORE	
D	
RIM WIDTH	
E	
HUB WIDTH	
F	
HUB DIAMETER	
G	
BRONZE, BUSHING, BEARING OR FINISHED BORE	
H	
QUANTITY	



COMPANY

CONTACT:

PHONE #

FAX #